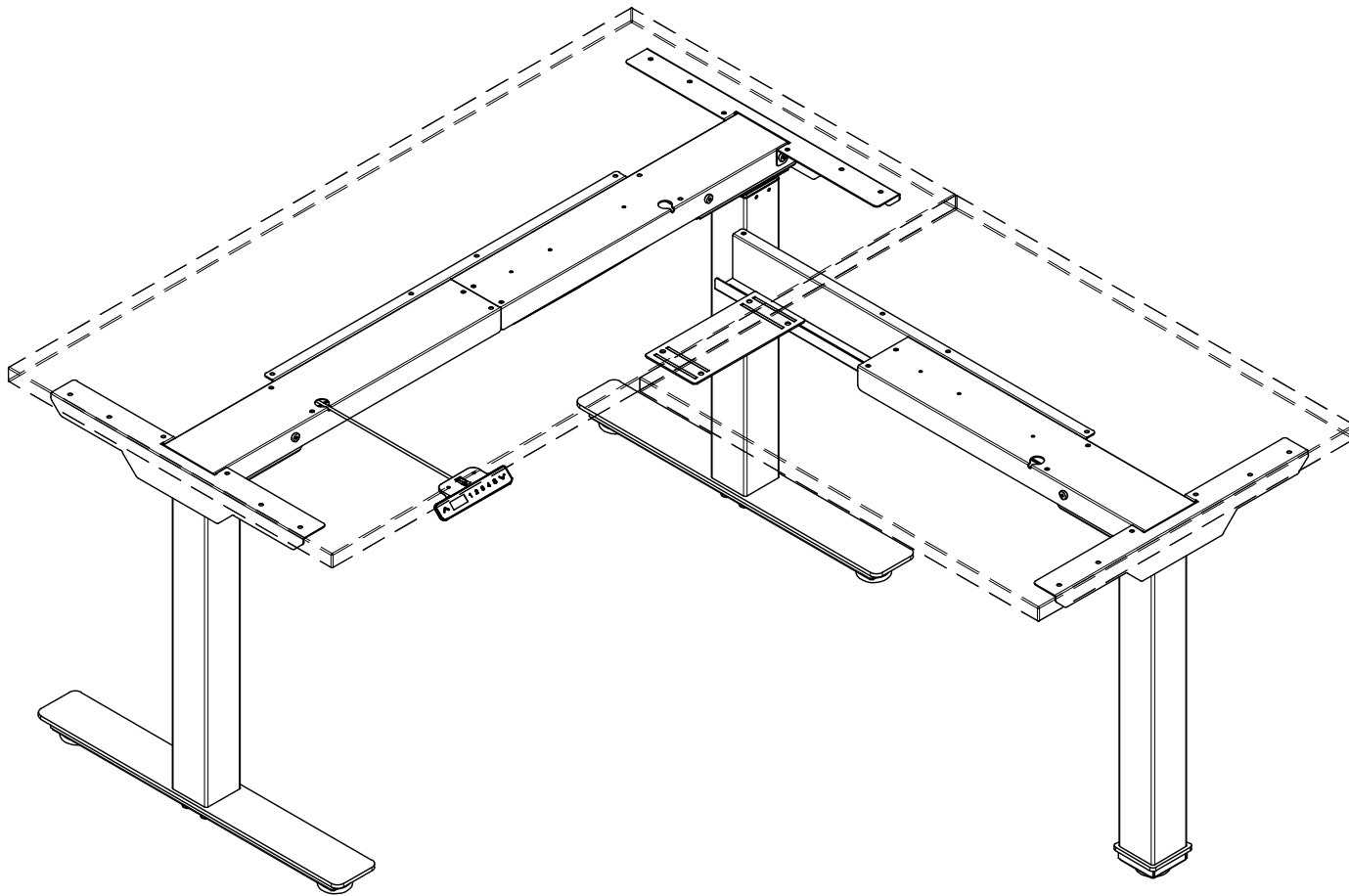






















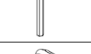



Assembly Instructions

Value Three Leg Electric Adjustable Height Base

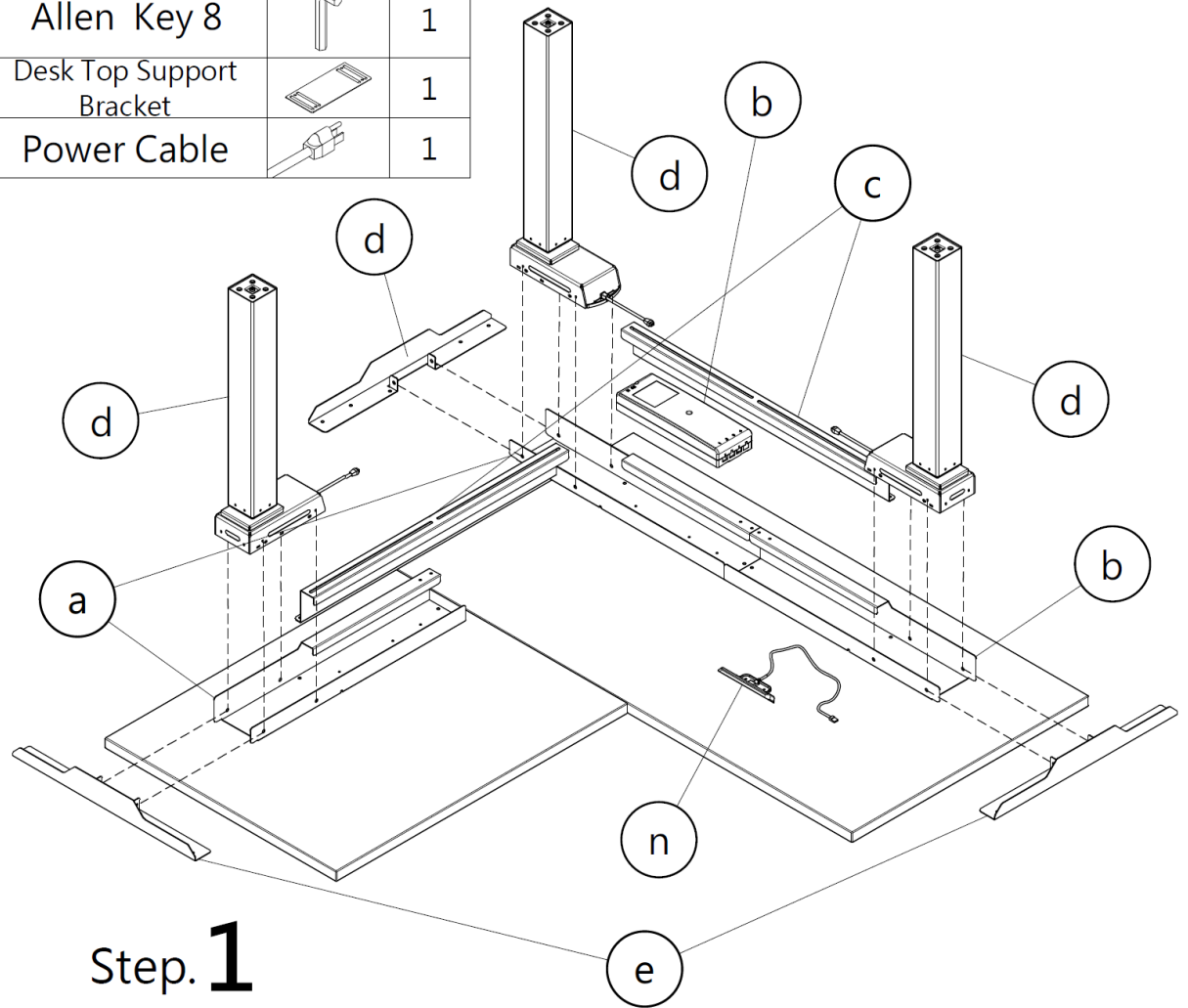


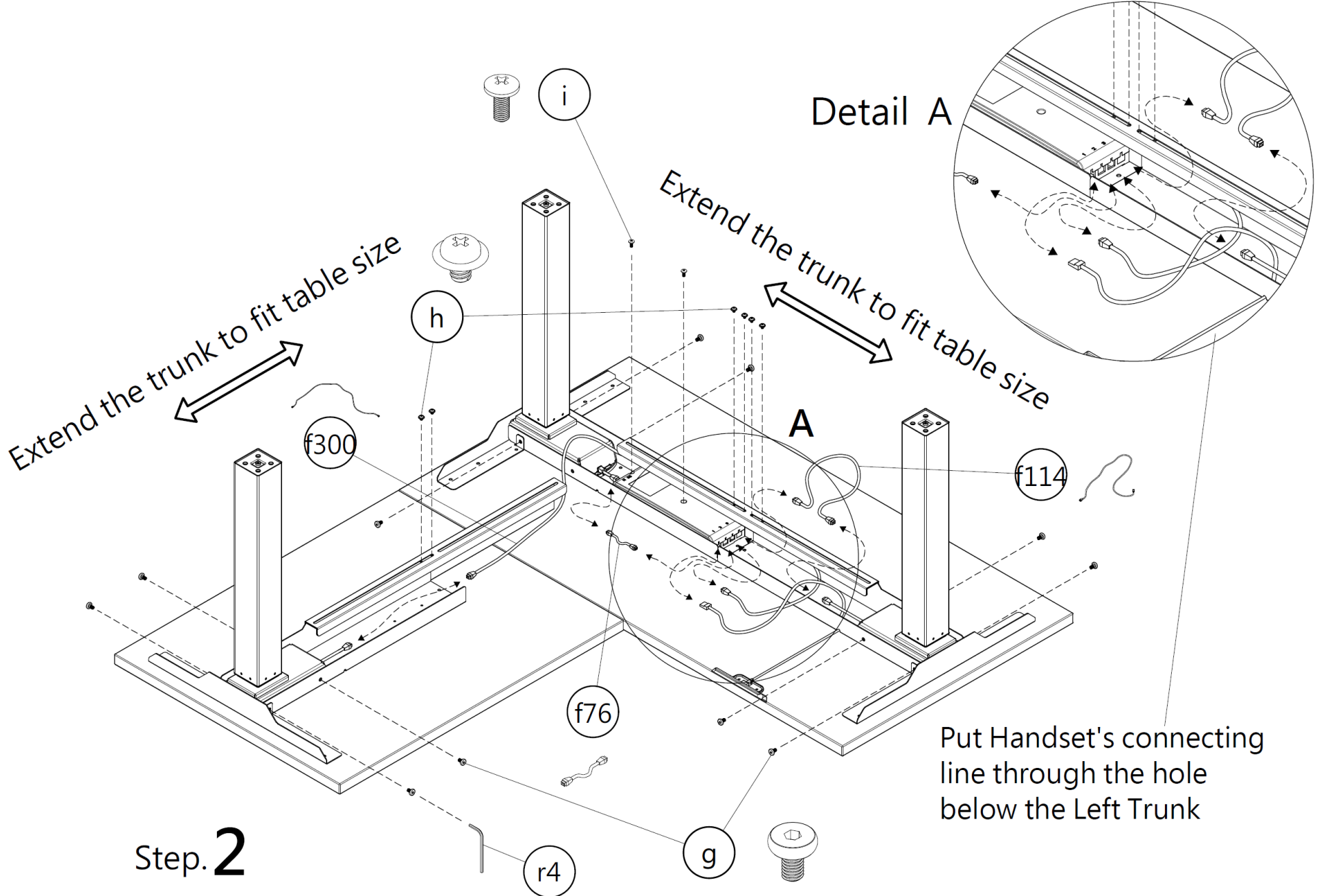
Part Lists

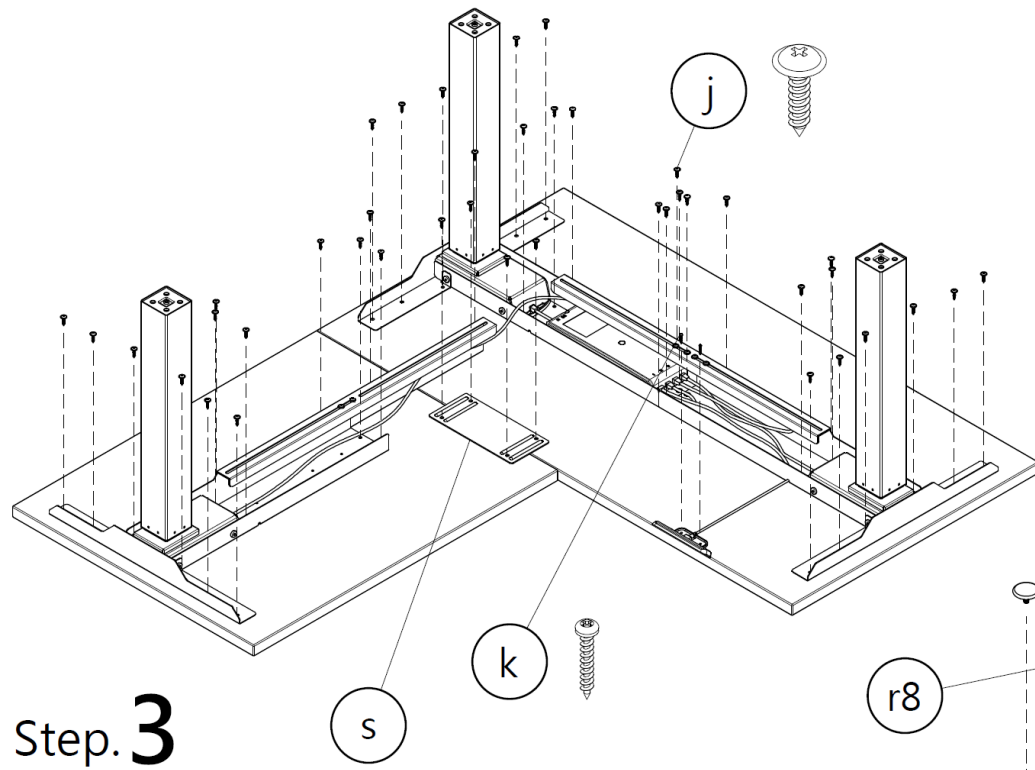
No.	Name	Drawing	QTY
a	Right Trunk		2
b	Left Trunk		1
c	Inner Trunk		2
d	Column		3
e	Side Support		3
f76	Extension Cable 76cm		1
f114	Extension Cable 114cm		1
f300	Extension Cable 300cm		1
g	Screw 6x10		12
h	Screw 5x6		6
i	Screw 4X10		2
j	Screw 5x20		42
k	Screw 3x20		2
l	Screw M10x35		8
m	Screw M10x20		4
n	Handset		1
o	Feet		2
p	Center Post Base		1

No.	Name	Drawing	QTY
q	Glide		5
r4	Allen Key 4		1
r5	Allen Key 5		1
r8	Allen Key 8		1
s	Desk Top Support Bracket		1
t	Power Cable		1

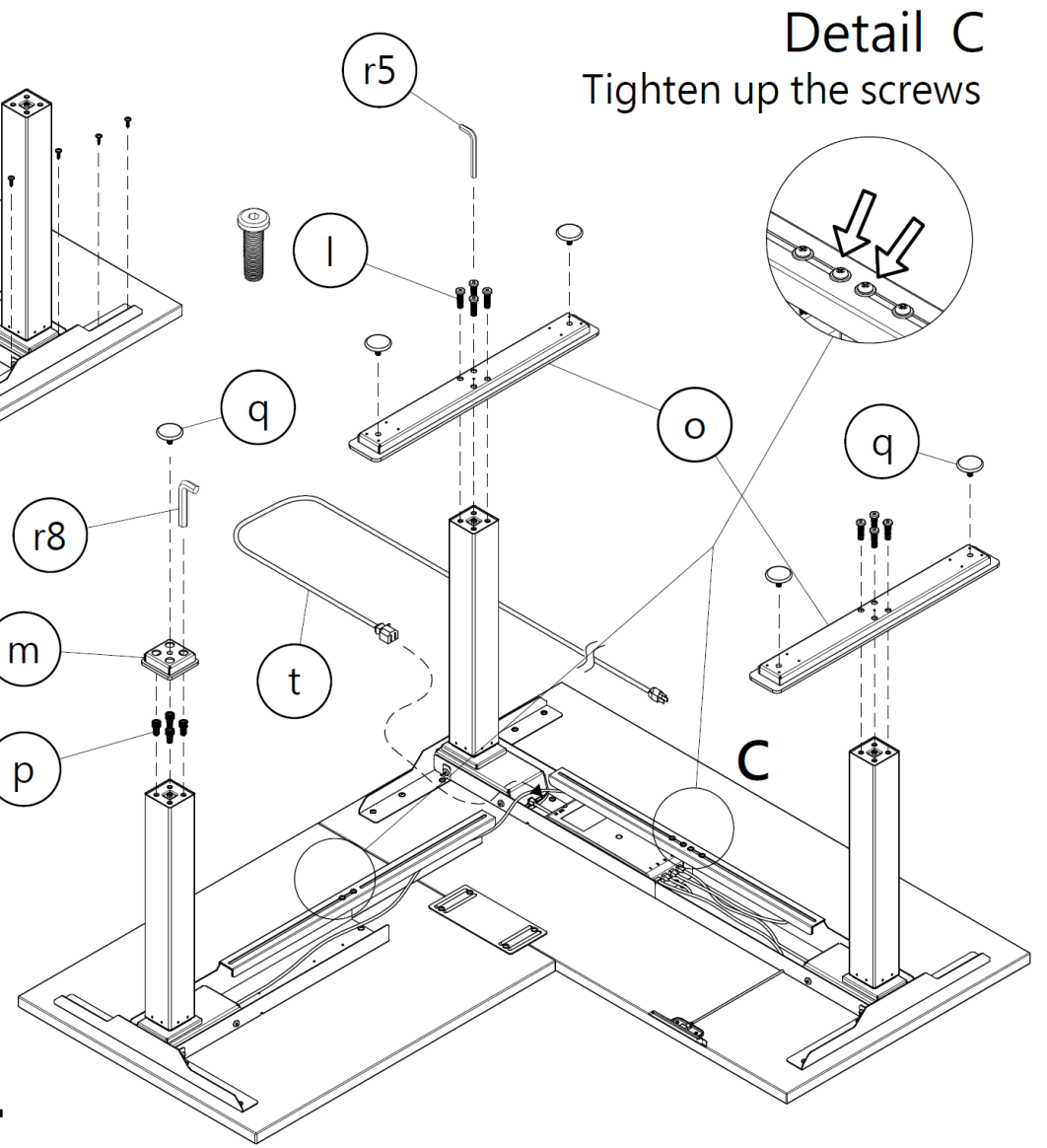
Place the Table Leg Frame on the bottom side of the table top







Step. **3**



Step. **4**

Important

Reset/Initialize desk before use:

- Press and hold **↑** and **↓** until both columns are in lowest position and then rebound 2-5mm
- Release buttons, initialization is complete

