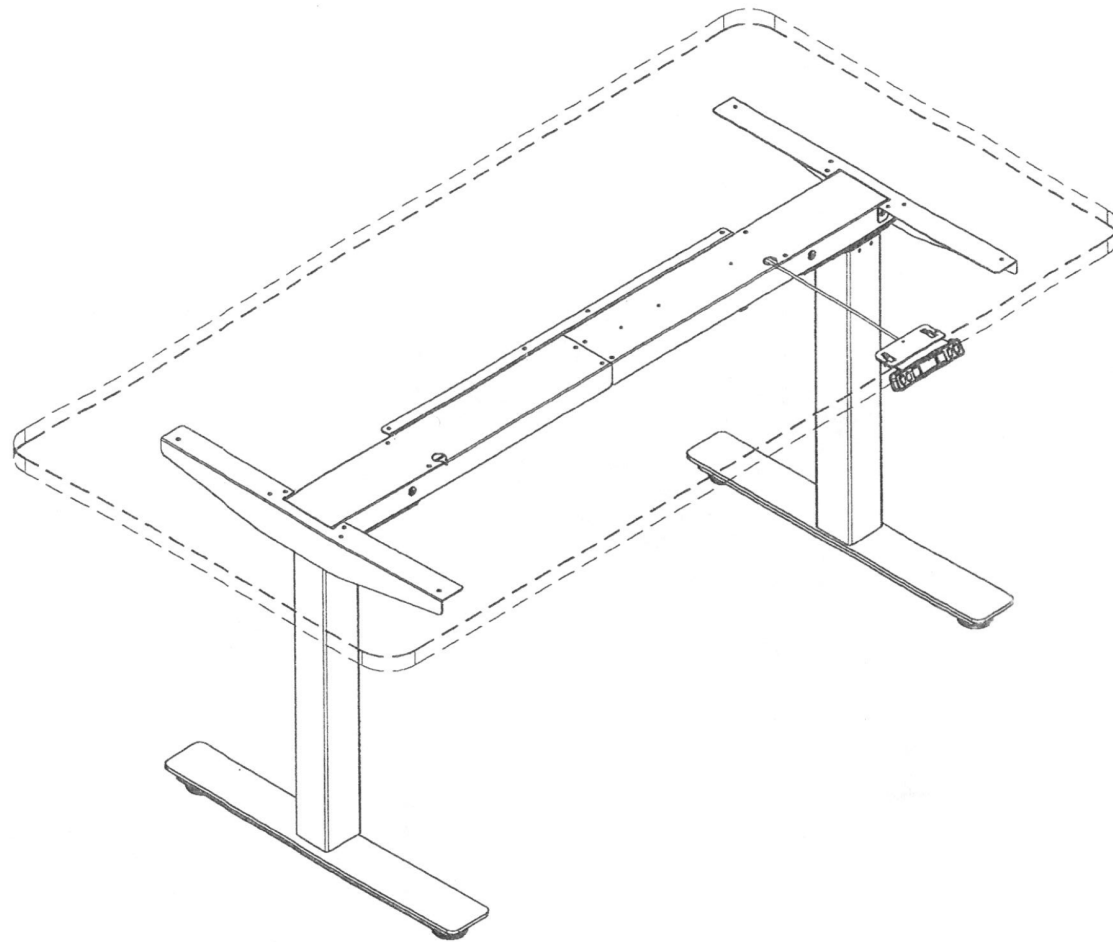








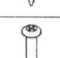





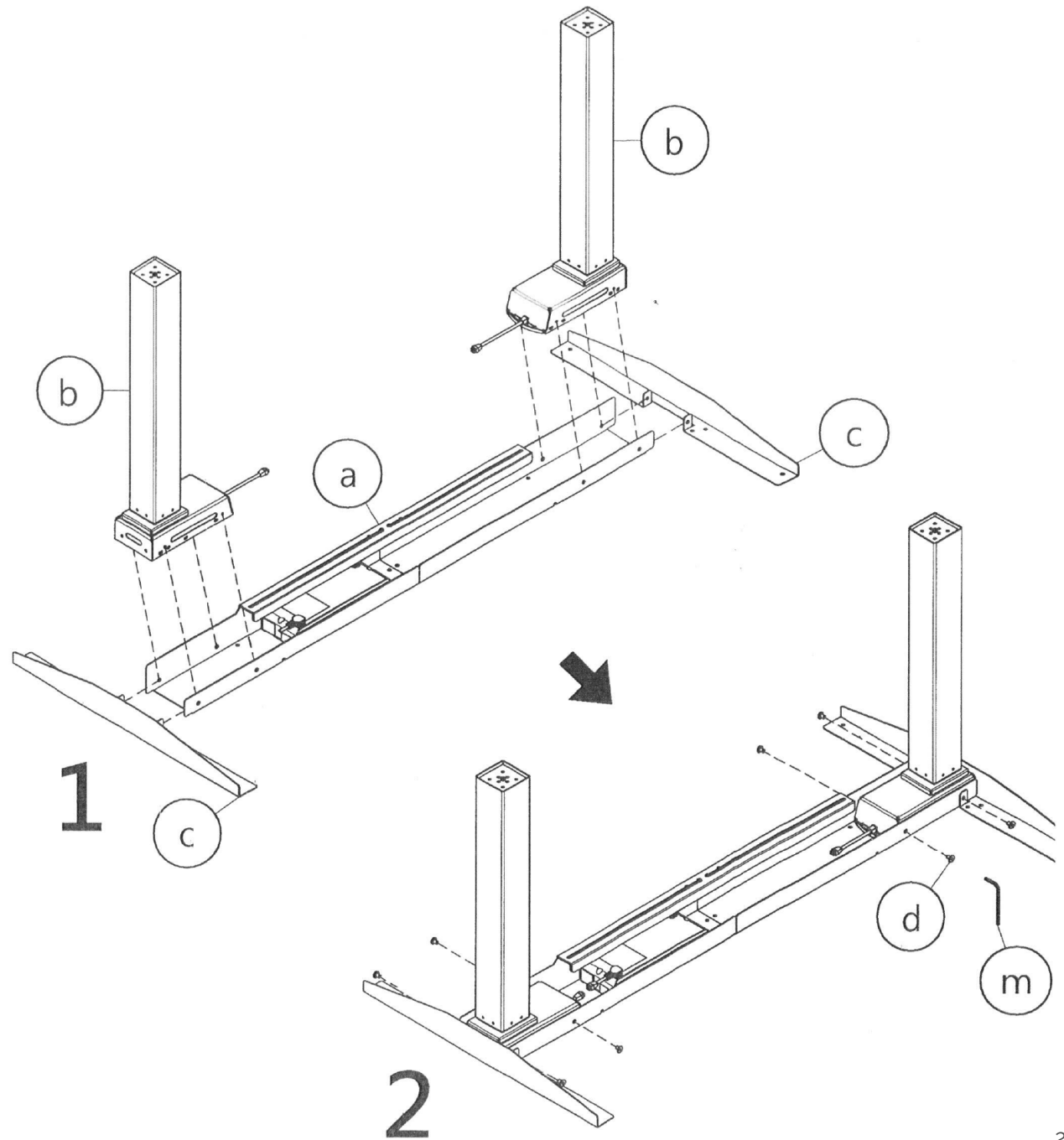


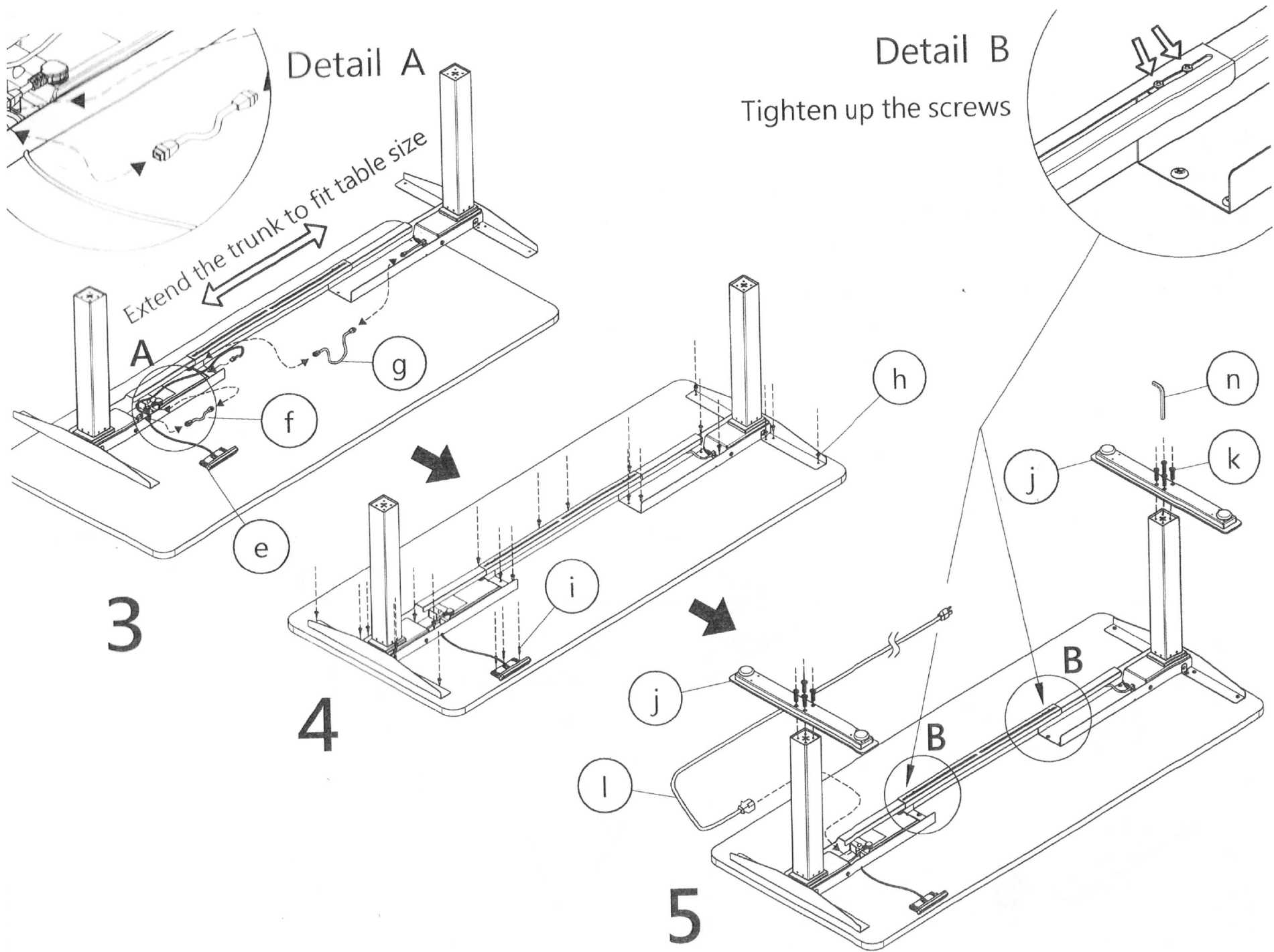
Assembly Instructions

Value Two Leg Electric Adjustable Height Base





Part Lists			
No.	Name	Drawing	QTY
a	Center Trunk		1
b	Column		2
c	Side Support		2
d	Screw M6x10		8
e	Handset		1
f	Extension Cable 12cm		1
g	Extension Cable 114cm		1
h	Screw 5x20		24
i	Screw 3x20		3
j	Feet		2
k	Screw M10x35		8
l	Power Cable		1
m	Allen Key 4		1
n	Allen Key 5		1





Important

Reset/Initialize desk before use:

- Press and hold  and  until both columns are in lowest position and then rebound 2-5mm
- Release buttons, initialization is complete

